

## DP 10 T

## DPD 10 T

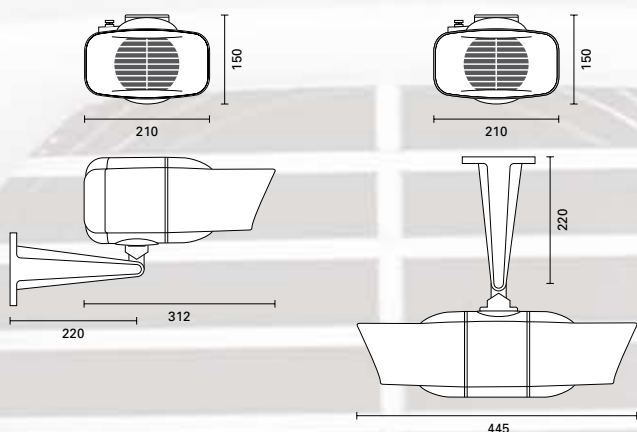
PLASTIC DNH SOUND PROJECTORS

### DNH IP 55 rated sound projector

- Made in anticorrosion polyamide
- Wall or ceiling mounted articulated support
- 10 Watt power
- 100V line transformer
- Maximum/minimum operating temperature 150 C°/-40°C
- SPL 1W/1m 96dB
- Dispersion (-6dB) 1kHz/4kHz 110°/40°

### DNH IP 55 rated sound projector

- Made in anticorrosion polyamide
- Articulated support
- Wall or ceiling mounted
- 10 Watt power
- 100 V line transformer
- Maximum/minimum operating temperature 150 C°/-40°C
- SPL 1W/1m 94dB
- Dispersion (-6dB) 1kHz/4kHz 110°/40° bidirectional



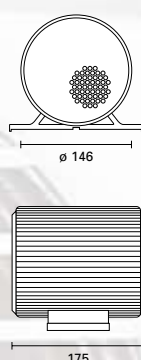
	DP 10 T	DPD 10 T
<b>Code</b>	<b>09352</b>	<b>11818</b>
<b>Features</b>	Watertight IP55	Watertight IP56 Bidirectional
<b>Mounting system</b>	Bracket	Bracket
<b>Rated/Maximum power</b>	10/15 Watt	10/15 Watt
<b>Colour</b>	Light grey RAL 7035	Light grey RAL 7035
<b>Frequency response</b>	150÷15.000 Hz	150÷15.000 Hz
<b>Angular dispersion</b>	110°/40°	110°/40° bidirectional
<b>Sensitivity 1W/1m</b>	96dB	94dB
<b>Maximum SPL 1m</b>	105dB	103dB
<b>Input voltage</b>	100 Volt	100 Volt
<b>Operating temperature</b>	da -40°C a 150°C	da -40°C a 150°C
<b>Weight</b>	2,7 Kg	3,7 Kg
<b>Accessories of the kit</b>	Bracket	Bracket
<b>Dimensions (WxHxD)</b>	210x150x312mm	210x150x445mm

## CAR 6 FT

DNH FIRE RESISTANT SOUND PROJECTORS

### DNH bi-directional loudspeaker

- Anodised aluminium or white
- NEMKO certified fire resistant at 150°C for 24 hours, at 750° for 30 minutes
- Power 6 Watt
- 100V transformer
- Max/min operating temperature 150 C°/-40°C
- SPL 1W/1m 92dB
- Dispersion (-6dB) 1kHz/4kHz 150°/150°



	CAR 6 FT
<b>Code</b>	<b>11956</b>
<b>Features</b>	Bi-directional fire-resistant with transformer
<b>Mounting system</b>	Bracket
<b>Rated/Maximum power</b>	6/8 Watt
<b>Colour</b>	Aluminium/anodised
<b>Frequency response</b>	150÷15.000Hz
<b>Sensitivity 1W/1m</b>	92dB
<b>Maximum SPL 1m</b>	99dB
<b>Input voltage</b>	100 Volt
<b>Operating temperature</b>	da -40°C a 150°C
<b>Weight</b>	2,2 Kg
<b>Dimensions</b>	ø 146x175mm